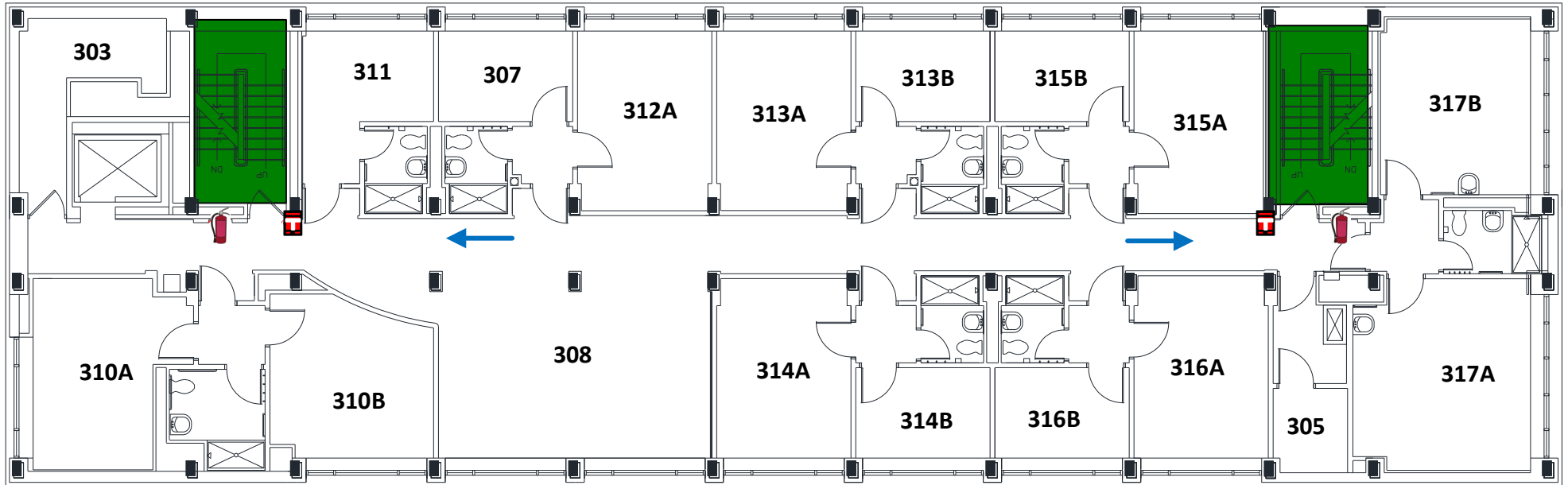


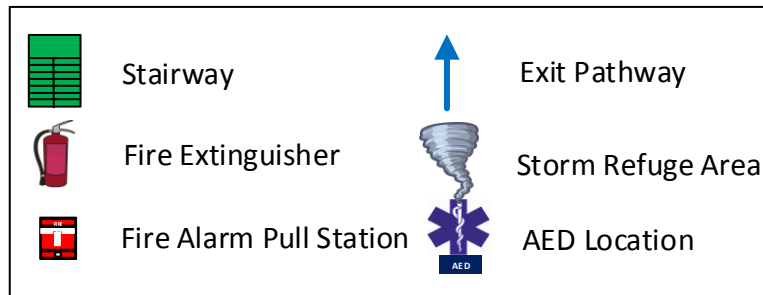
# EMERGENCY EVACUATION ROUTE

Building Code: 937  
 Building Name: Polk Street Residence Hall  
 Floor Name: Third Floor  
 Building Address: 1933 W Polk Street



**Evacuation Assembly Area:**

The sidewalk located on the north side of Polk Street which is located north of the Polk Street Residence Hall building.



**OFFICE OF  
 THE VICE  
 CHANCELLOR  
 FOR  
 ADMINISTRATIVE  
 SERVICES**

